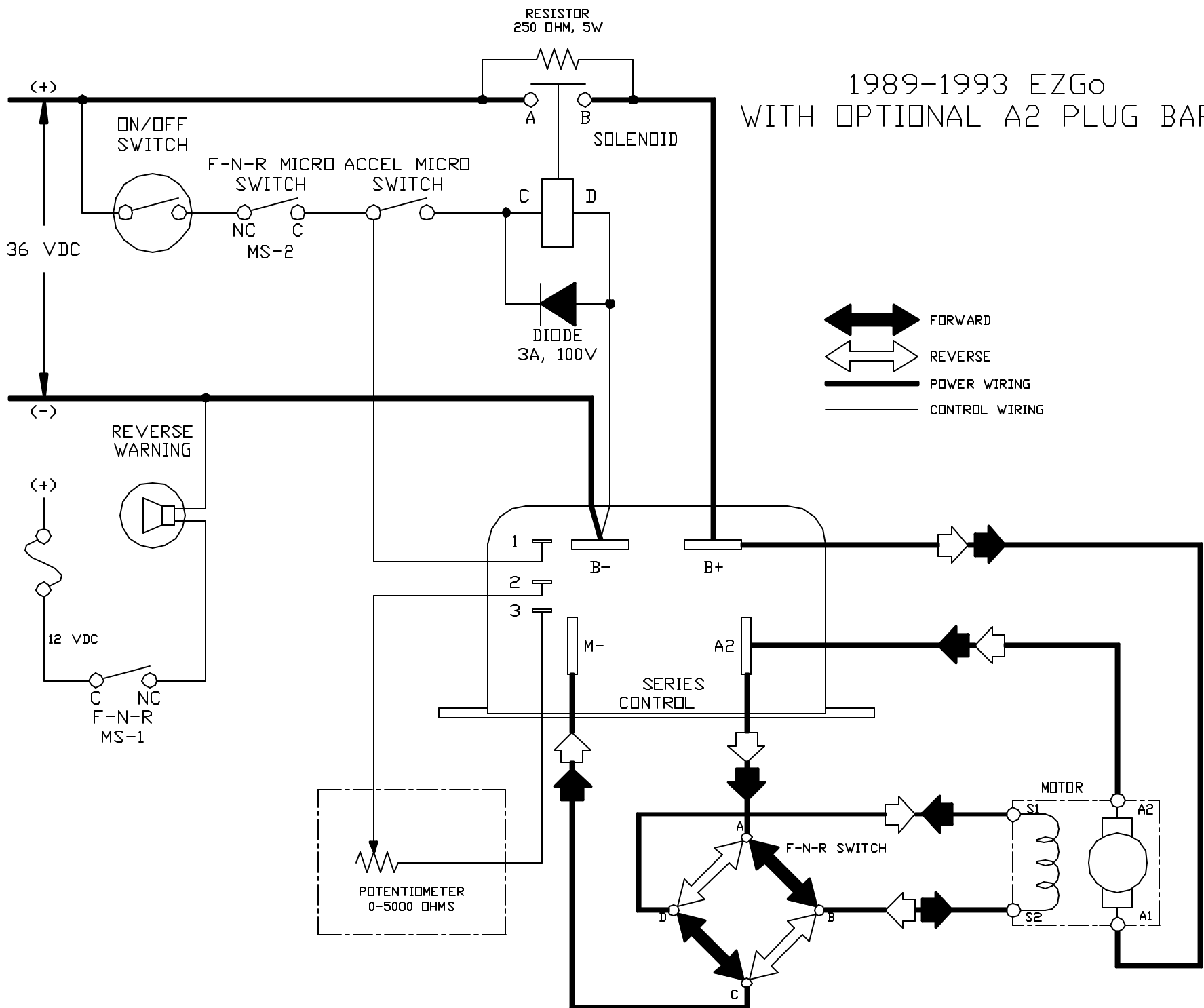
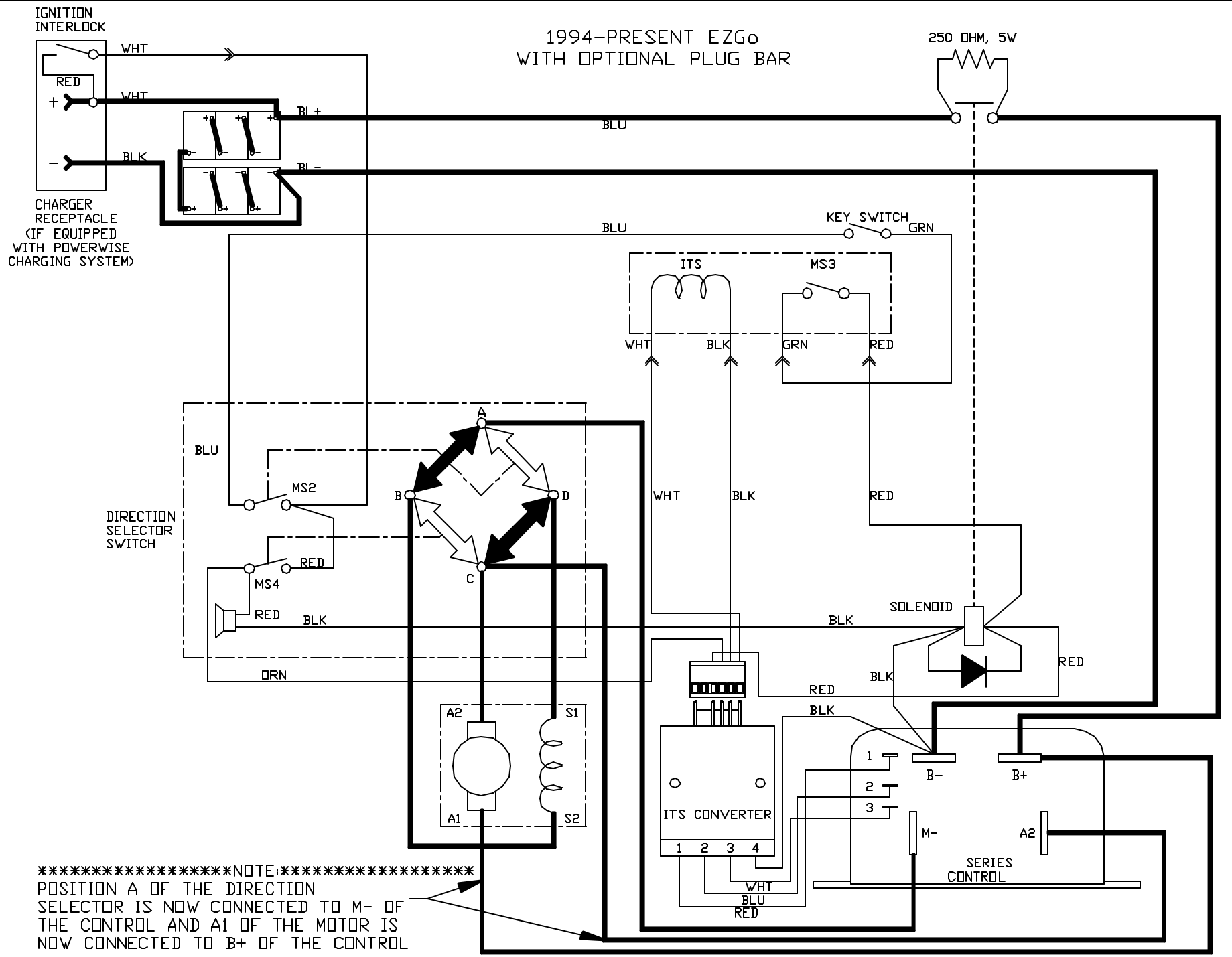


CLUB CAR (1992-1994)
WIRING DIAGRAM

1989-1993 EZGo WITH OPTIONAL A2 PLUG BAR



1994-PRESENT EZGo
WITH OPTIONAL PLUG BAR



*****NOTE:*****
 POSITION A OF THE DIRECTION
 SELECTOR IS NOW CONNECTED TO M- OF
 THE CONTROL AND A1 OF THE MOTOR IS
 NOW CONNECTED TO B+ OF THE CONTROL

MS2 IS CLOSED WHEN DIRECTION SELECTOR SWITCH IS IN FWD OR REV
 MS3 IS ACTIVATED BY ACCELERATOR PEDAL
 MS4 IS CLOSED BY DIRECTION SELECTOR SWITCH IN REVERSE ONLY