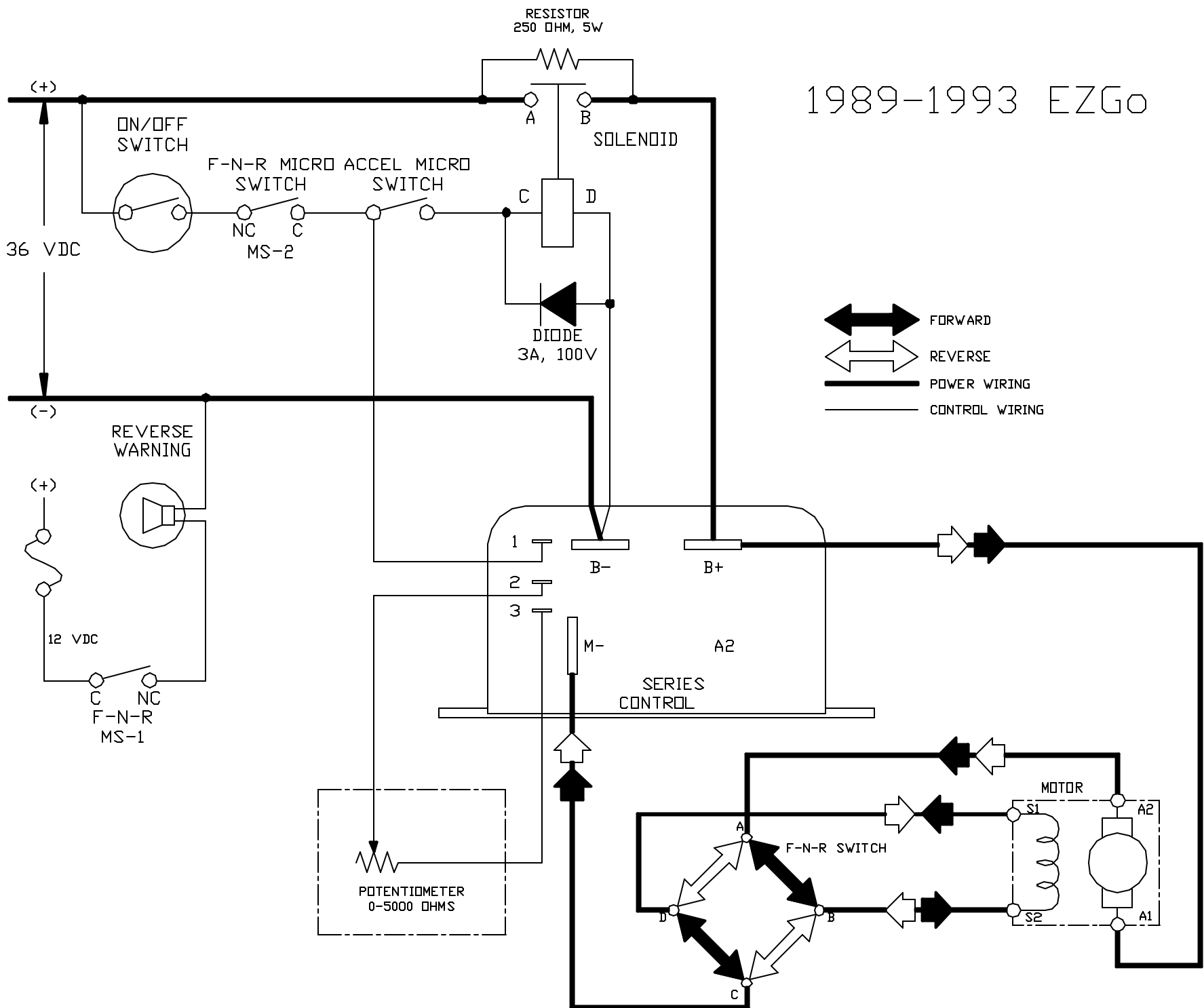
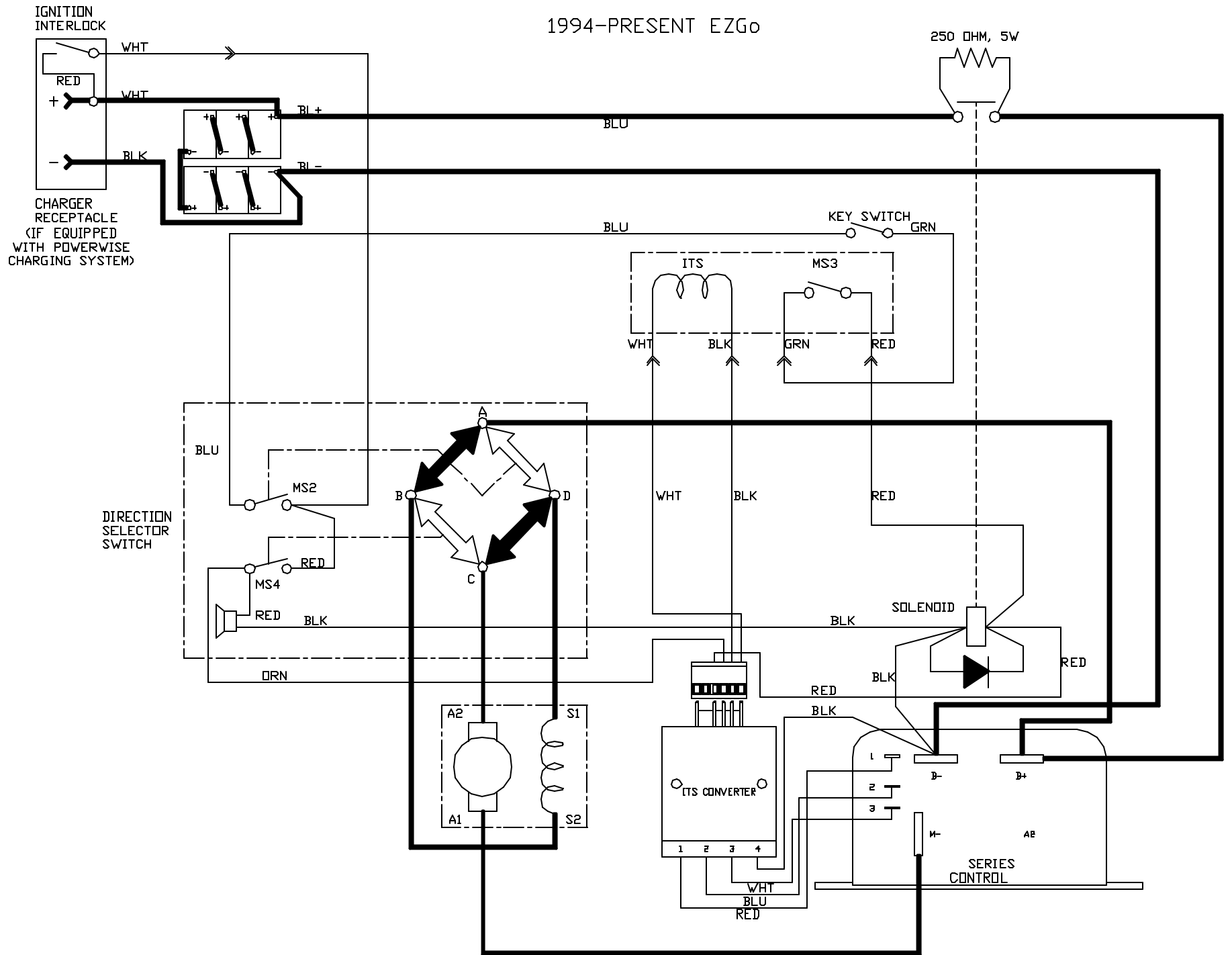


1989-1993 EZGo



1994-PRESENT EZGo



MS2 IS CLOSED WHEN DIRECTION SELECTOR SWITCH IS IN FWD OR REV
 MS3 IS ACTIVATED BY ACCELERATOR PEDAL
 MS4 IS CLOSED BY DIRECTION SELECTOR SWITCH IN REVERSE ONLY